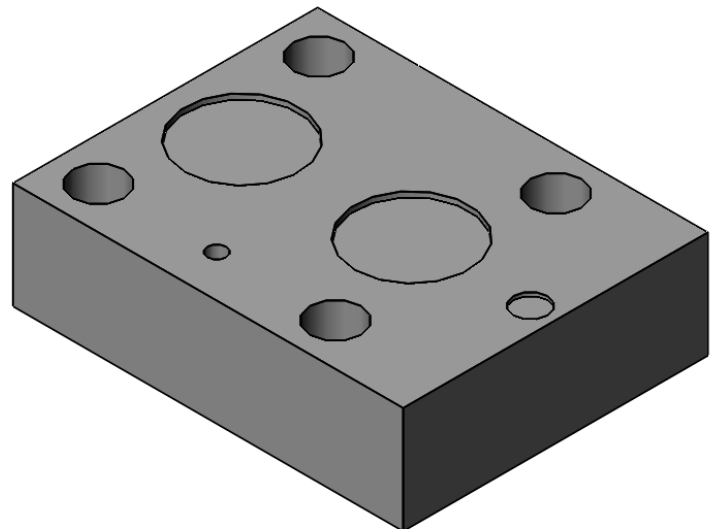
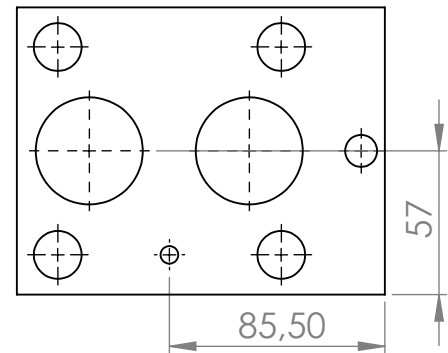
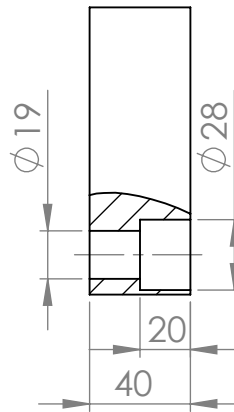
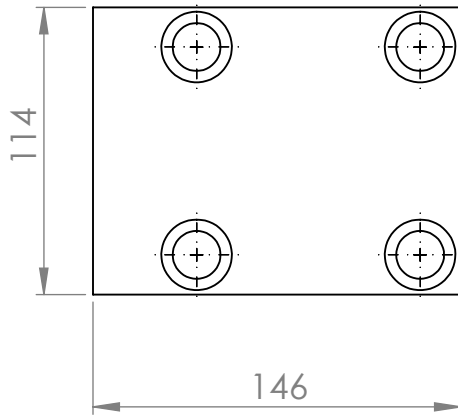


Blindplatte NG32 Form E

Lochbild Form E DIN 24340 / ISO 6264



Symbol



Bestell-Nr.: 13200021

2x O-Ring 38 x 2,5
1x O-Ring 9,2 x 1,78

Änderungen vorbehalten

MAX. 315 bar

| | NAME | DATE |
|-----------|------------|----------|
| DRAWN | R. Grotz | 05.12.07 |
| CHECKED | | |
| ENG APPR. | | |
| MFG APPR. | | |
| Q.A. | | |
| COMMENTS: | 114x40x146 | |

H & S

Blindplatte NG32
Form E

H & S
Hydraulik & Steuerblöcke
Hartmannstr. 55
72458 Albstadt
Tel.: 07431/701794
Fax.: 07431/701793

| MATERIAL | FINISH | APPLICATION |
|-------------|---------|----------------------|
| AlCuMg1 F38 | | DO NOT SCALE DRAWING |
| NEXT ASSY | USED ON | |

| SIZE | DWG. NO. | REV. |
|-----------|----------|--------------|
| A | 13200021 | A |
| SCALE:1:1 | WEIGHT: | SHEET 1 OF 1 |