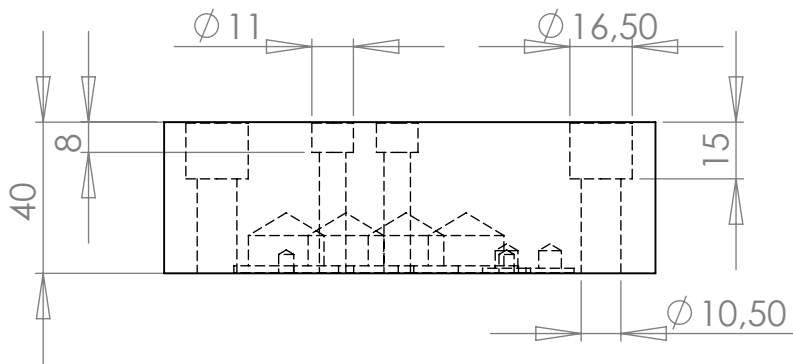
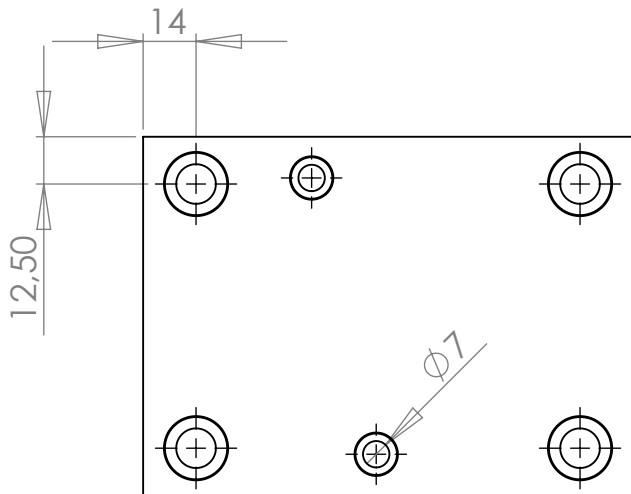


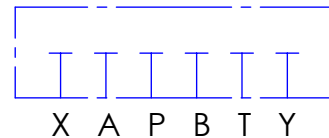
**Blindplatte NG16
Lochbild DIN 24340
ISO 4401**



**incl. O-Ringe
4 Stk. 23x2,5
2 Stk. 9,2x1,78**



Symbol



Bestell Nr.: 11600001

Sonderausführungen auf Anfrage

Änderungen vorbehalten

			NAME	DATE	H & S									
			DRAWN	R. Grotz 05.12.07										
			CHECKED											
			ENG APPR.											
H & S Hydraulik & Steuerblöcke Hartmannstr. 55 72458 Albstadt Tel.: 07431/701794 Fax.: 07431/701793	MAX. 315 bar		MFG APPR.		Blindplatte NG16									
			Q.A.											
			COMMENTS:											
	NEXT ASSY	USED ON	FINISH											
APPLICATION		DO NOT SCALE DRAWING		130x95x40	<table border="1" style="width: 100%;"> <tr> <td>SIZE</td> <td>DWG. NO.</td> <td>REV.</td> </tr> <tr> <td style="text-align: center;">A</td> <td style="text-align: center;">11600001</td> <td style="text-align: center;">A</td> </tr> <tr> <td>SCALE: 1:5</td> <td>WEIGHT:</td> <td>SHEET 1 OF 1</td> </tr> </table>	SIZE	DWG. NO.	REV.	A	11600001	A	SCALE: 1:5	WEIGHT:	SHEET 1 OF 1
SIZE	DWG. NO.	REV.												
A	11600001	A												
SCALE: 1:5	WEIGHT:	SHEET 1 OF 1												